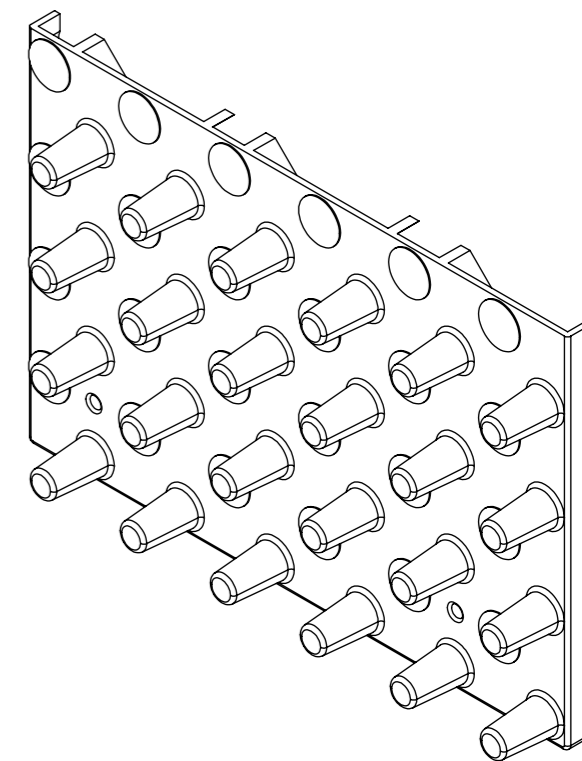
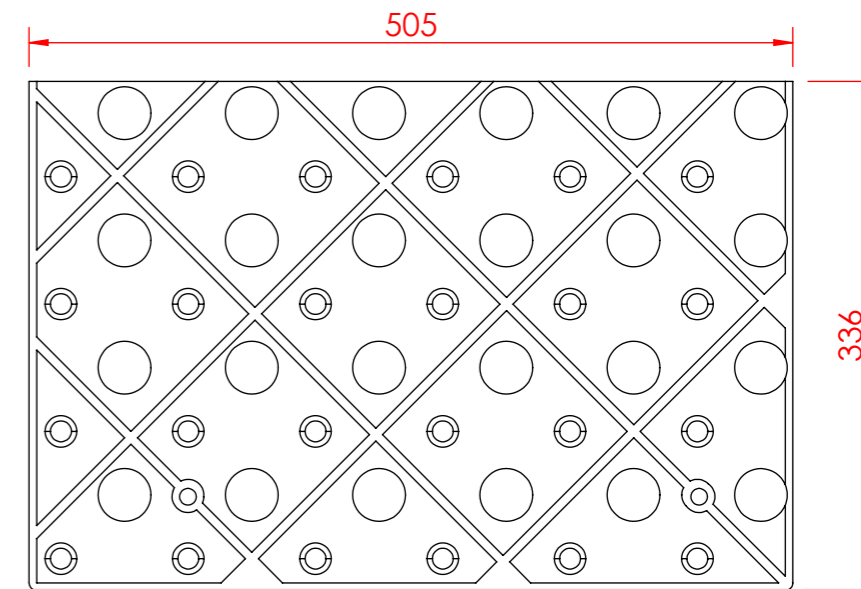
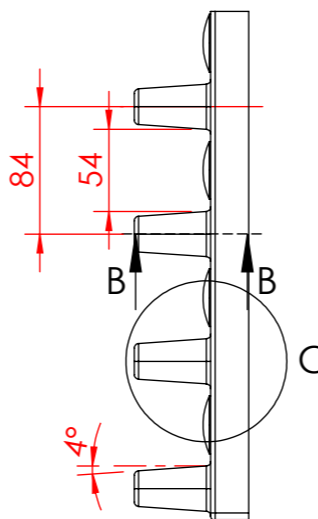
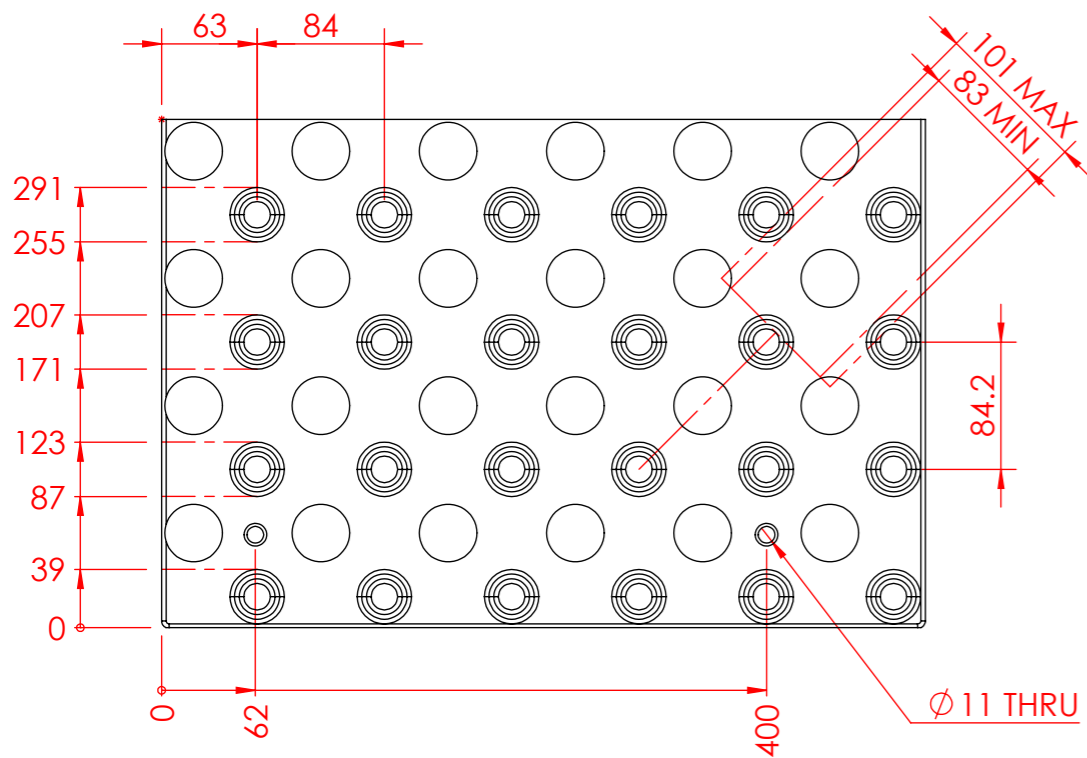


DETAIL C
SCALE 2 : 5



SECTION B-B



REVISIONS			
REV.	DESCRIPTION	DATE	APPROVED
A	First Issue		

PROPRIETARY AND CONFIDENTIAL
THE INFORMATION CONTAINED IN THIS
DRAWING IS THE SOLE PROPERTY OF
BERRY & ESCOTT ENGINEERING Ltd. ANY
REPRODUCTION IN PART OR AS A WHOLE
WITHOUT THE WRITTEN PERMISSION OF
BERRY & ESCOTT ENGINEERING Ltd IS
PROHIBITED.

DIMENSIONS ARE IN MM TOLERANCES: UOS FABRICATION >1mtr±1.0 <1mtr±0.5 ANGULAR: MACH ±0.25° BEND ±0.5° ONE PLACE DECIMAL ±0.1 TWO PLACE DECIMAL ±0.05 THREE PLACE DECIMAL ±0.02		NAME	DATE	 BERRY & ESCOTT ENGINEERING Telephone: 01278 444861 TECHNICAL@BERRYENGINEERING.CO.UK
MATERIAL <i>Black Copolymer</i>		DRAWN	17/07/2015	
FINISH Natural		CHECKED	17/07/2015	DRAWING NAME LAMPREY PANEL - 8 ROWS - 333MM DWG. NO. 515-MD-101c- Lamprey Big Studs Only Tile - B
DO NOT SCALE DRAWING		SCALE - 1:5 WEIGHT: 1482.85 SHEET 1 of 1 SIZE A3		